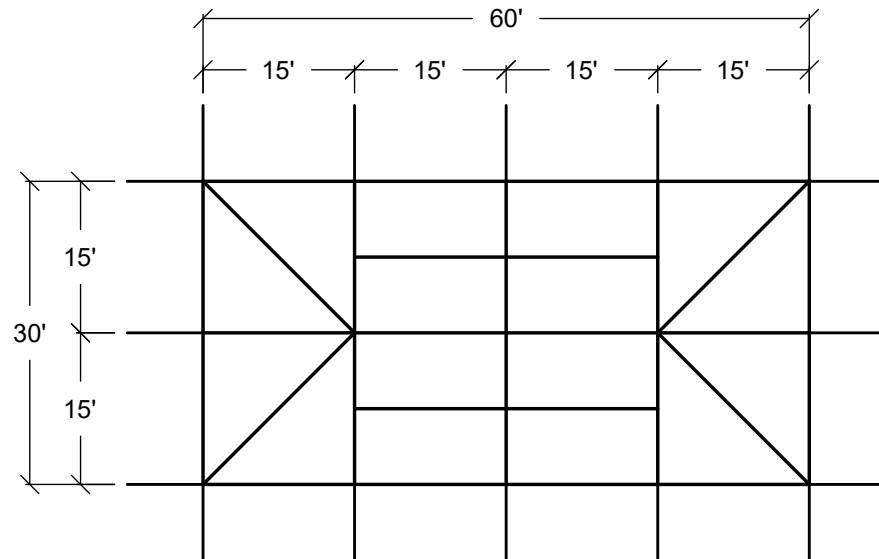
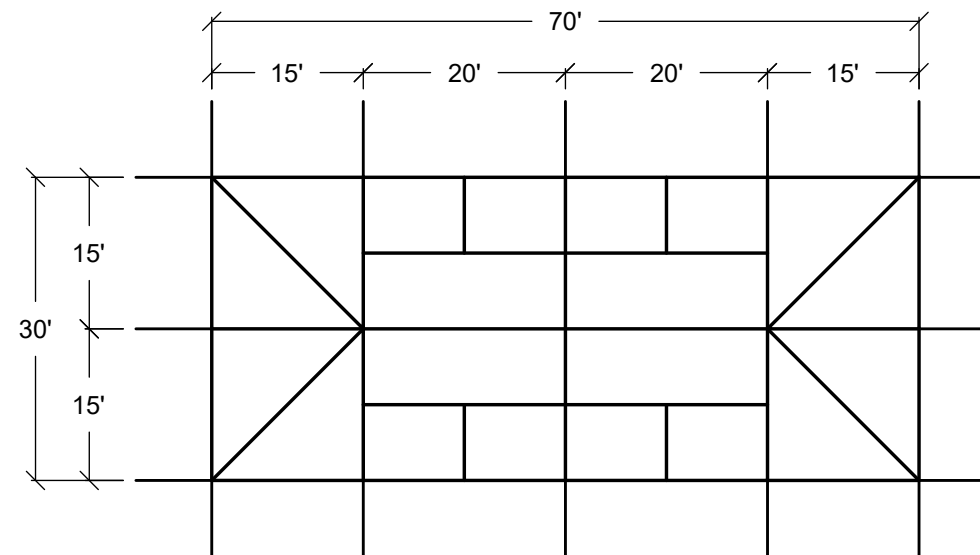


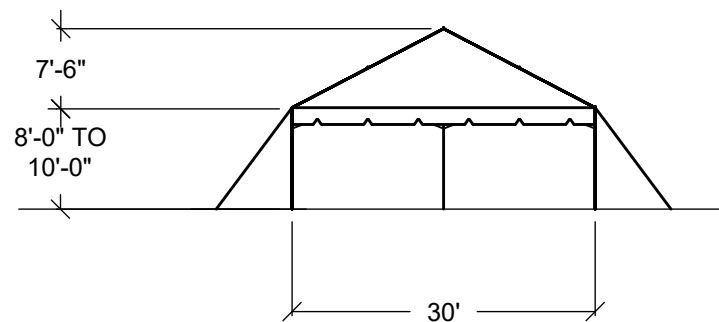
**PLAN**  
1,500 SQ. FT.  
HIP ENDS WITH 10'  
MID BAYS



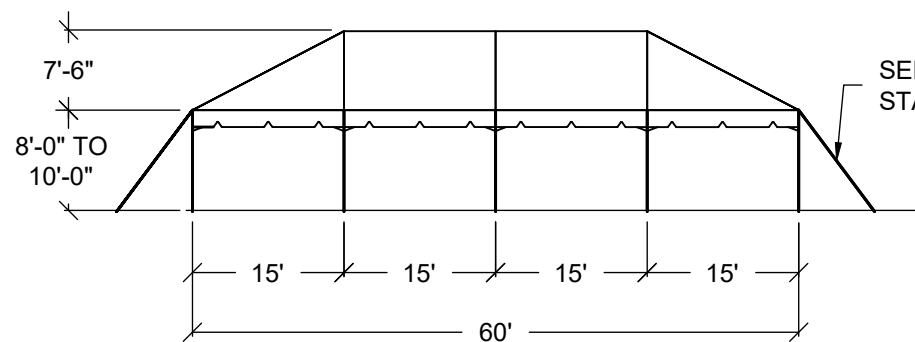
**PLAN**  
1,800 SQ. FT.  
HIP ENDS WITH 15'  
MID BAYS



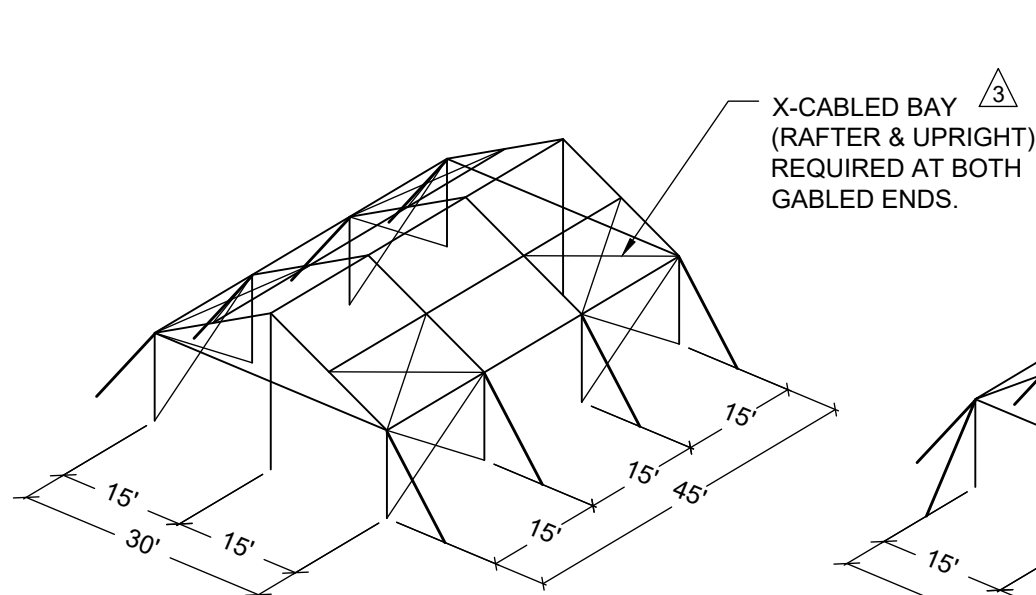
**PLAN**  
2,100 SQ. FT.  
HIP ENDS WITH 20'  
MID BAYS



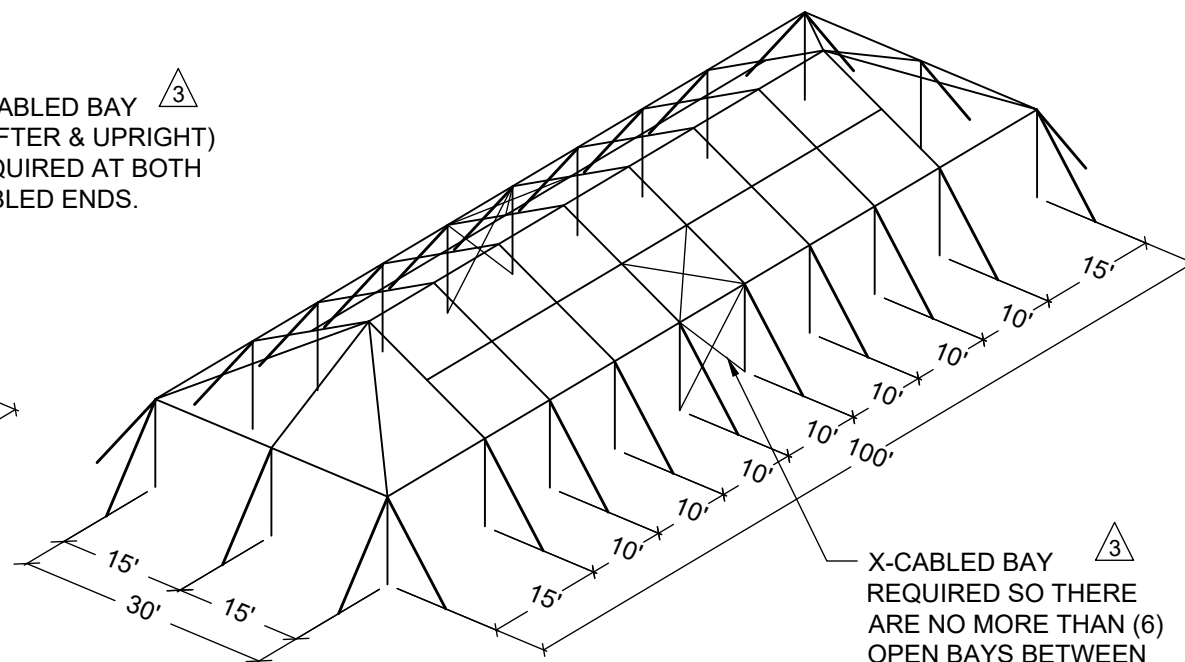
**END ELEVATION**



**SIDE ELEVATION**  
(WITH 15'-0" MID BAYS SHOWN)



**3-D VIEW**  
1,350 SQ. FT.  
GABLE ENDS WITH (3)  
15' MID BAYS



**3-D VIEW**  
3,000 SQ. FT.  
HIP ENDS WITH (5) 15'  
MID BAYS

**NOTES:**

- SEE THE I.F.A.I. STAKING GUIDE ON THEIR WEBSITE (WWW.IFAI.COM) FOR SOIL IDENTIFICATION & PULL-OUT CAPACITY OF STAKES.
- STAKING :  
8' EAVE - STAKE OUT 6'  
9' EAVE - STAKE OUT 6'-9"  
10' EAVE - STAKE OUT 7'-6"



**Caution:**

Staking or anchoring is the responsibility of the installer. Soil conditions will dictate the number of stakes or anchors required. **Do not use this drawing to determine staking requirements.** Contact Anchor for Engineering loading data that can be used in conjunction with IFAI methodologies to determine site specific anchoring requirements.

**REVISIONS**

EC/PR NO.	DATE	BY
1	02-06-2007	DMK
2	02-29-2016	DMK
5878	4/19/2022	DMK

**ANCHOR INDUSTRIES INC.**

**BROCHURE DRAWING**  
**30' WIDE NAVI-TRAC FRAME TENT**

DRAWN BY: DMK	CHECKED BY:	DRAWING NO.
APPROVED BY:	EC/PR NO.	DATE: 08-22-06

**06-253-4-1**